

MSD-CV-300W series

High PF Constant Voltage Waterproof LED Power Supply



Features

- The output voltage is constant.
- Input voltage:100-277VAC.
- Using active built-in PFC techology.
- Efficiency>90% PF>0.98.
- Protection:SCP/OVP.
- Aluminum case waterproof.
- Easy to install.
- Nature cooling.
- CE/ROHS/SAA/TUV certs.CE/ROHS/SAA/TUV
- 5 Years warranty.

Specification Sheet

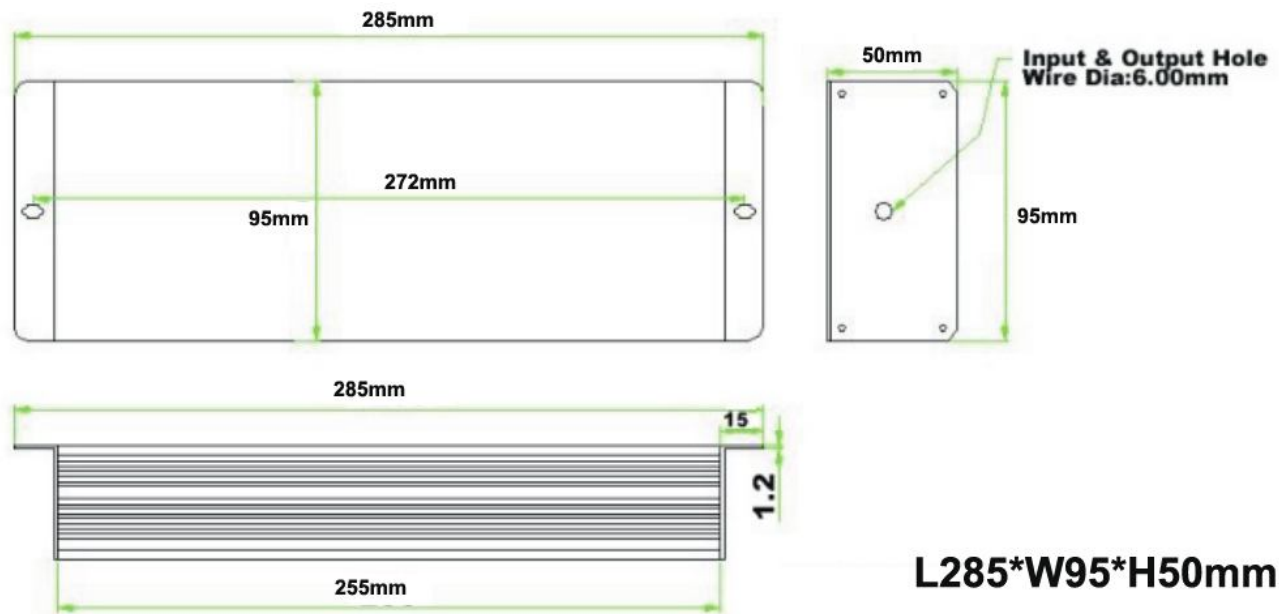
Model	CV	MSD-CV-300W		
Output	Output Voltage	12V	24V	36V
	Voltage Precision	±0.5V		
	Output Current	25A	12.5A	8.3A
	Output Power	300W		
	Line Regulation	1%		
Input	Input Voltage Range	100-277V/AC(standard) 90VAC(min)305V/AC(max)		
	AC Current(Typ)	3.26A@100VAC 2.964A@110VAC 1.417A@230VAC 1.251A@264VAC		
	Frequency Range	47-63Hz		
	PFC(Typ)	>0.95@full load		
	Full-loading Efficiency	90%		
Protection	Short Circuit	Short circuit protection / Over voltage protection		
	Over Voltage	<305VAC		
Environment	Operation Temperature	-40~+60℃		
	Operation Humidity	20~90%		
	Storage	-40~ +85℃, 10~95%RH		
	Temperature Coefficient	±0.03%/℃(-45~50℃)		
	Vibration Resistance	10~500HZ,2G 10Min/period,X、 Y、 Z line per 60 mins		
Safety&EMC	Standard	Refer to EN 61347-1;EN 61347-2-13; EN 62493		
	Withstand Voltage	I/P-O/P:3.75KVAC		
	Insulating Strength	I/P-O/P:400M Ω/500 VDC/25℃/70%RH		
	EMC Emission	To Correspond EN55015,EN61000-3-2(≥ 50% load)		
	EMC Immunity	To Correspond EN55015,EX61000-4-2,3,4,5,6,8,11,A Level of light industry standard(Surge 4KV)		
Other	Weight	2300G		
	Dimension	285*95*50mm (L*W*H)		
	PCB	94V-0 PC fire retardant		
	Color	Dark Grey		
	Packing	44*28*18cm/15pcs		

NOTE

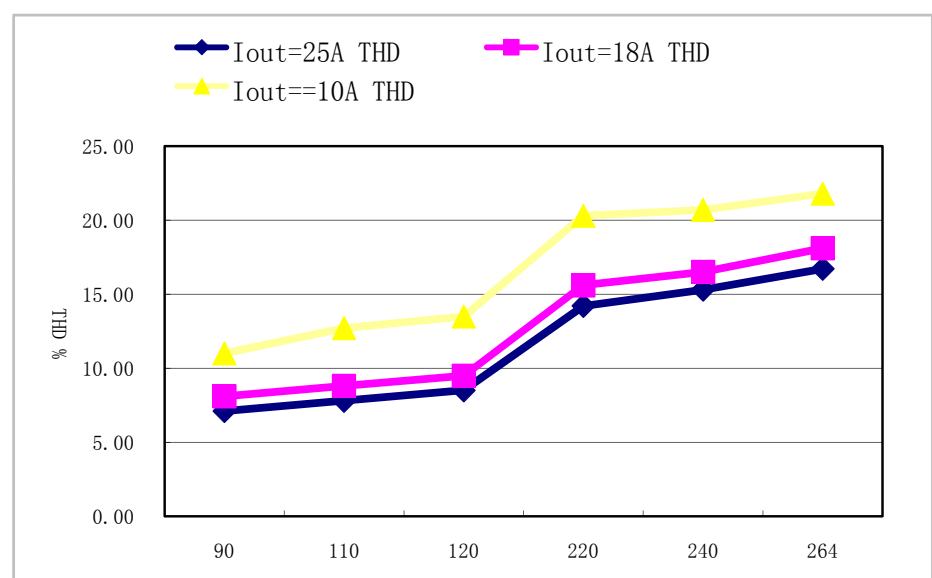
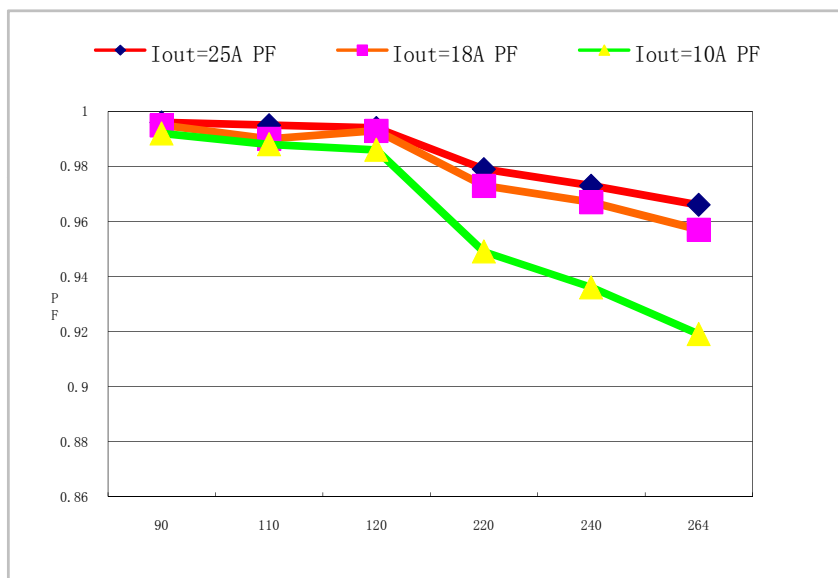
All parameters are measured at normal temperture(25-28℃)
 1、Ripple & Noise are measured at 20KHz of bandwidth by using a 12" twisted pair-wire teminated with a 0.1 uf & 47uf parallel capacitor(@ full load).
 2、The efficiency measured at Max output voltage,and 230VAC with full load,if with 110VAC the efficiency will be lowered 0.5%~1.5%;Working 1~2 hours,efficiency will be higher 1.5%~1%than the initial stage.

High PF Constant Voltage Waterproof LED Power Supply

1. Mechanical Specification



2. Power Factor & THD Characteristics



3. Efficiency & Load of (110VAC / 230VAC)

